

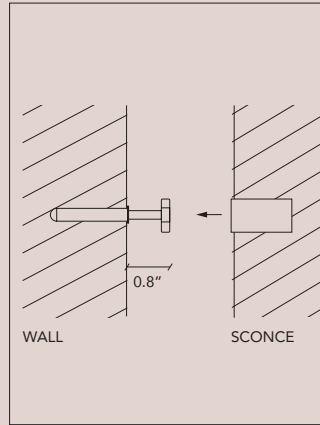
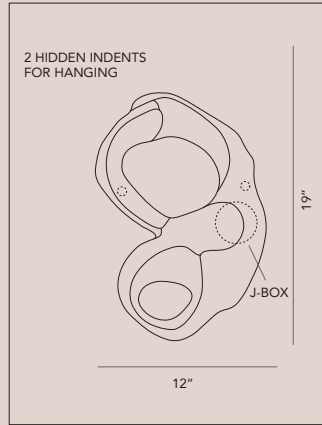
form no_004

Instruction Manual

Form No.004 is a sculptural wall lamp,
carved by hand and fired in bisqueware.
The light is dimmable.

MATERIAL	Ceramic Bisque
SIZE	12 x 4 x 19 in
COLOR	Creme
BULB	GX53-Dimmable
VOLTAGE	120V-UL Listed parts

*All pieces are handmade, making each piece unique. Inconsistency in shape, texture, color and size may occur due to its natural material and working process.



*Hanging system and bulb is included with every order.

installation:

01_ Using a drill, carefully drill three holes in the wall at the same spots as indicated on the back of the wall lamp.

02_ Insert two wall plugs into the holes, ensuring they are flush with the wall. Next, insert two screws into the wall plugs, leaving around 2 cm / 0.8 inches of the screw tip exposed.

03_ Connect the junction box cables with the electricity cables inside the wall. If you are unsure about electrical wiring, please consult a qualified electrician.

04_ Carefully hang the wall lamp on the exposed screw tips, ensuring it is securely in place.

safety note:

All works must be under electricity disconnected, all operation under the national valid regulations. Observance instructions manual is parts of guaranty, wrong operation without observance instructions manual may lead to equipment damaged, fire or other danger.

cleaning:

To clean your ceramic lamp: turn it off and unplug it, use a dry soft cloth to wipe the surface (no abrasives), avoid using alcohol-based fluids, if needed use a damp cloth, allow the lamp to dry before plugging it in again. Proper cleaning can help maintain appearance and prolong lifespan.