

ikigai

Instruction Manual

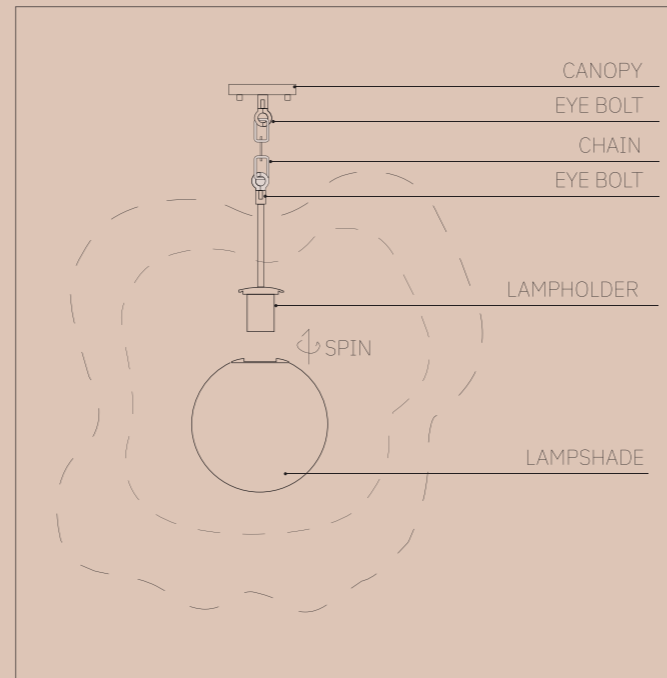
The Ikigai pendant lamp has been carefully crafted using a layered gypsum technique. The lamp is a part of the Wonder Things limited collection.

MATERIAL	Gypsum	UL LISTED
SIZE	30"x30"x34"	*All pieces are handmade, making each piece unique. Inconsistency in shape, texture, color and size may occur due to its natural material and working process.
COLOR	Natural	
BULB	E26	
VOLTAGE	120V	

safety note:

The lamp weighs 132 lbs. Prior to hanging, we recommend consulting with a contractor to ensure that the ceiling can support its weight. While the lamp is made of lightweight gypsum, please handle it delicately.

All work must be completed with the electricity disconnected. All connections must adhere to the applicable national regulations. Following the instruction manual is essential for maintaining the warranty. Failure to adhere to the instruction manual may result in equipment damage, fire, or other hazards.



installation:

HANGING THE LAMP

01_Place the foam from the crate on the floor where the lamp will be hung.

02_Carefully position the lamp over the foam.

03_Lower the lift from the ceiling to a point where the hook from the canopy cap can be secured.

04_Raise the lamp to a level where there is a 5-inch gap between the canopy cap and the ceiling.

05_Connect the junction box cables to the electrical wires inside the ceiling. If you are unsure about electrical wiring, please consult a qualified electrician.

06_Lift the lamp an additional 5 inches to close the gap between the canopy cap and the ceiling.

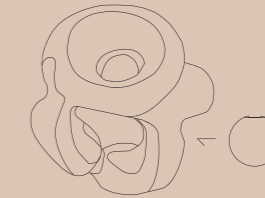
maintenance:

To clean the lamp, adhere to the following steps: First, turn off and unplug the lamp. Next, gently wipe the surface using a dry, soft cloth, avoiding abrasives. Refrain from employing alcohol-based cleaners, and if needed, utilize a damp cloth. Make sure the lamp is fully dry before plugging it back in. Consistent and proper cleaning can help preserve its appearance and prolong its lifespan.

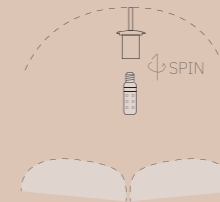
globe & bulb:

INSTALLATION OF THE GLASS GLOBE AND BULB

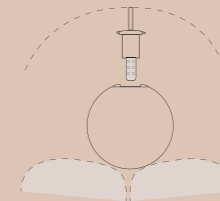
(Requires 2 handlers)



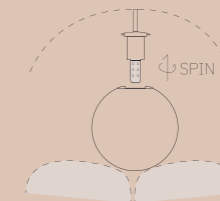
Install or remove the globe from the right side, where the largest opening is located.



Insert the bulb into the socket



Position the globe at the base of the sculpture.



Position the globe over the holder and twist it into place.